



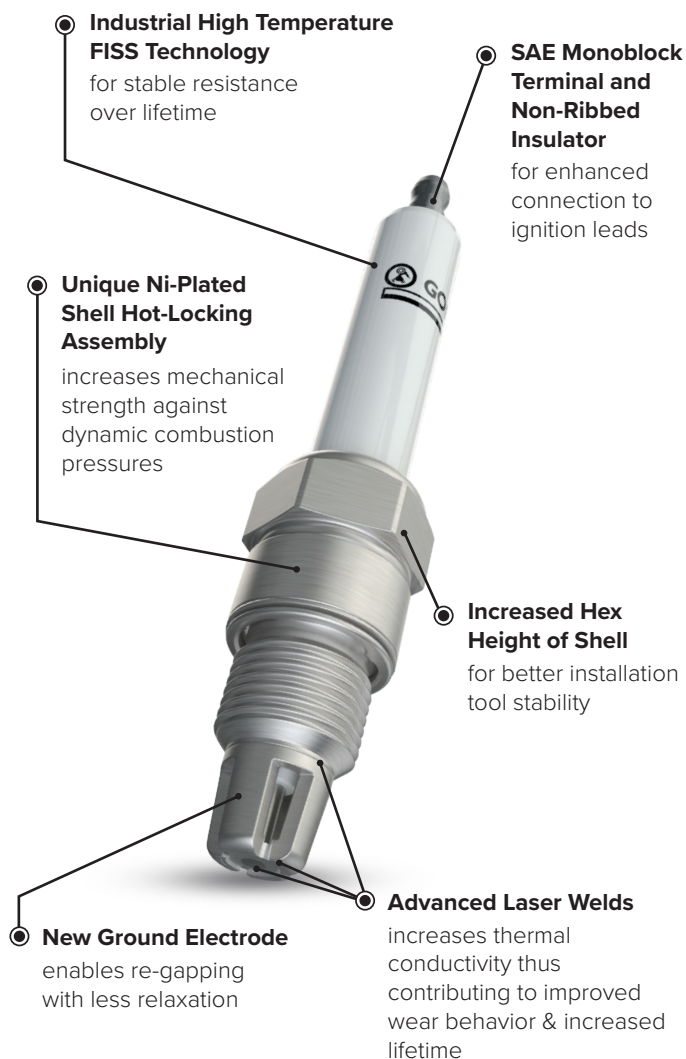
GOETZE[®]

G-6001 Industrial Spark Plug

Our massive quad electrode design has been developed to achieve extreme life time in open chamber applications, with lifetime runs over 10,000* hours in Jenbacher type 3 engines. Ideal for engines fueled by Natural Gas and Biogas where the end user is looking for a suitable and capable OE replacement spare part. The new ground electrode design is introduced for easy re-gapping operation while the improved shell and insulator design provides added robustness against mechanical damage.

* Lifetime depends on operating conditions including, but not limited to: fuel, duty cycle/load, ignition system, and environmental conditions.

G-6001



Lifetime*



Electrode Gap, nom.



Sup. Resistor



* Lifetime depends on operating conditions including, but not limited to: fuel, duty cycle/load, ignition system, and environmental conditions.

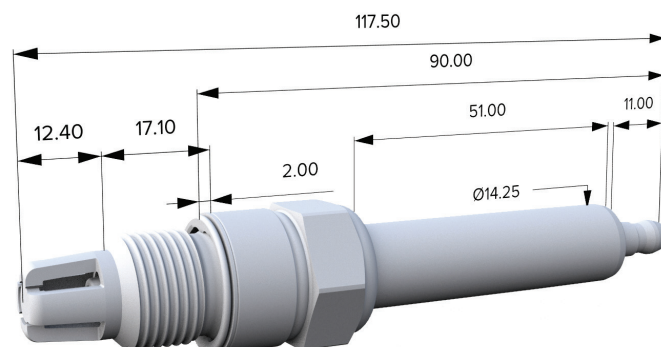
Federal-Mogul Ignition GmbH
 Bürgermeister-Schmidt-Str. 17
 51399 Burscheid, Germany
<http://www.ignition.tenneco.com>

© 2023 Tenneco Inc. All rights reserved. All trademarks are owned by Tenneco Inc. or one of its subsidiaries, in one or more countries. G-6001 Rev.07/2023

Basic Technical Data

Properties	G-6001
Suppressor Resistor	3 - 12 kΩ
Hex	22.2 mm (7/8 in)
Thread	M18 x 1.5
Thread length	17.1 mm (43/64 in)
Precious metals	Iridium/Platinum
Electrode gap	nom 0.35 mm (0.014 in)
Tightening torque (cast iron)	50-60 Nm (37-44 lbf ft) w/o lubricant
Lifetime*	~10,000 hours

Dimensions



Target Applications

- Industrial stationary engines
- Power generation/CHP
- Open chamber combustion engines
- Heavy-duty start/stop operation
- Natural Gas
- Biogas

Engines

- Innio Jenbacher Type 3

Cross References

- Innio Jenbacher - P7-Series